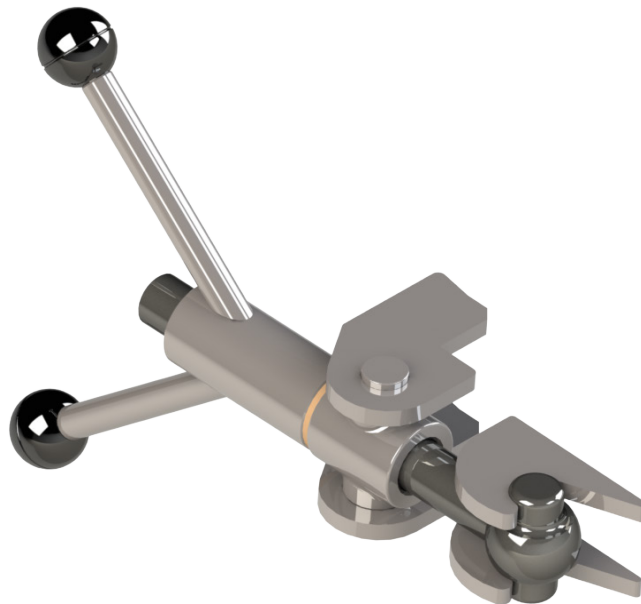


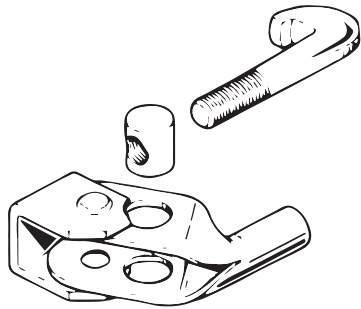


TECHNICAL SHEET

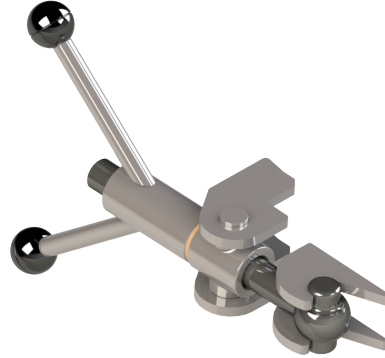


**REAR DOOR MANUAL
CLOSING CLAMPS**

Description



1



2

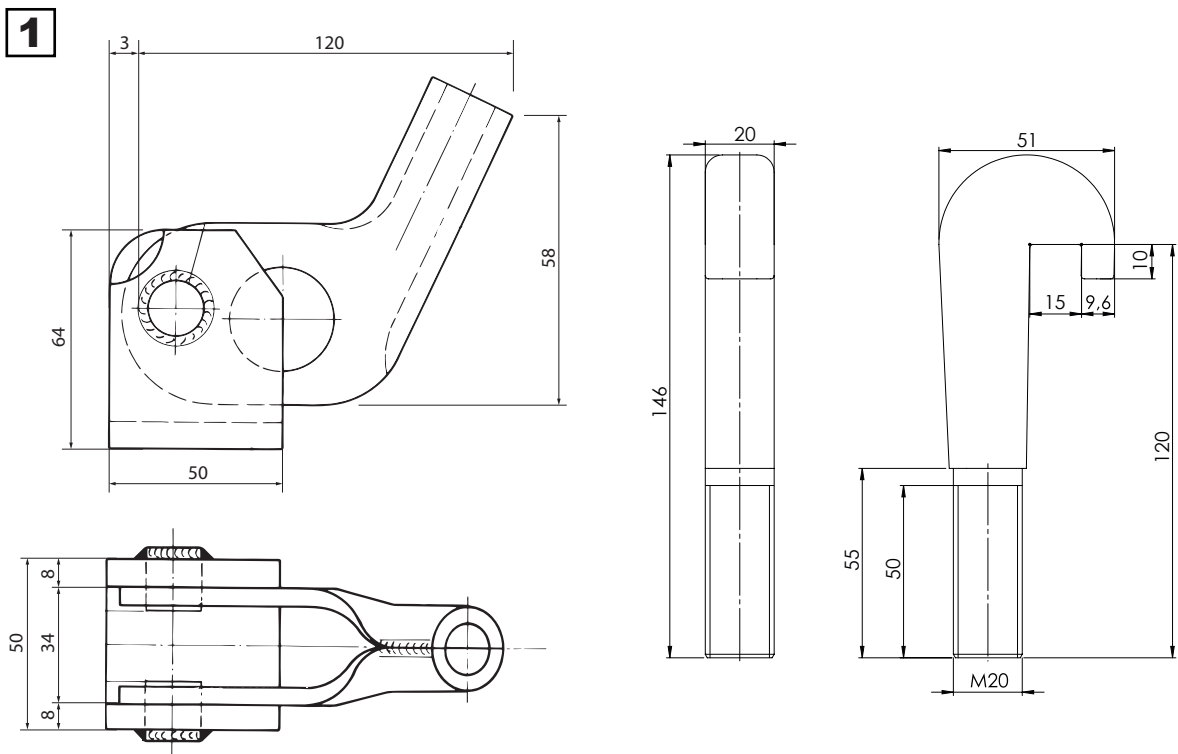
(1) CAM LEVER LOCK ASSEMBLY

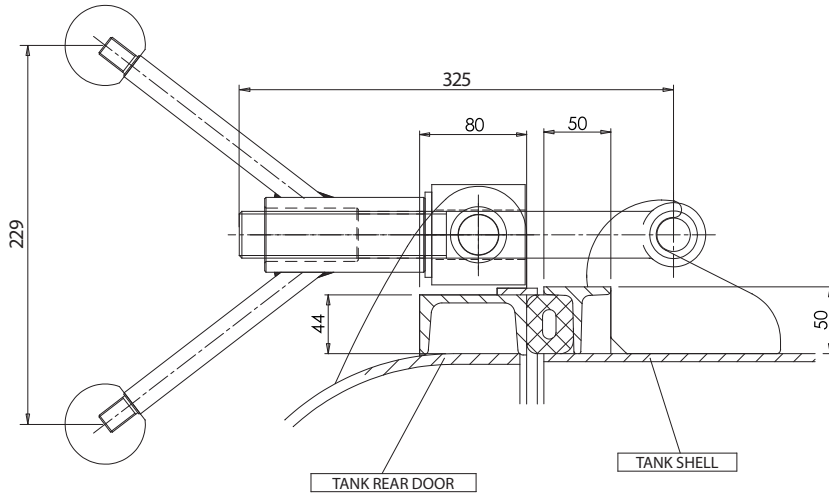
Cam lever closing locks assembly designed for small rear doors, front locks filters devices and man-ways.

(2) MANUAL REAR DOOR CLOSING CLAMPS

Rear doors made of galvanized steel or stainless steel industrial closing lock system with welding tank supports, strong cast iron tie rods, designed to be used for vacuum and pressure tanks.

Dimensions





2

Technical data

Mechanical resistance	88.500 N (2)
Weight	1,3 kg (1) - 11 kg (2)

Versions

description	code
Cam lever lock assembly	6.830000050-2
Rar door galvanized steel closing locks with welding tank supports	6.830000010-2
Rear door stainless steel closing locks with welding tank supports	6.830000020-1

Examples of application





MORO KAISER **COMPONENTS**

MORO KAISER S.R.L.

Via Pontebbana, 16
33080 FIUME VENETO (PN) ITALY

Tel. 0434 951.211

Fax: 0434 957.786

infomoro@morokaiser.it