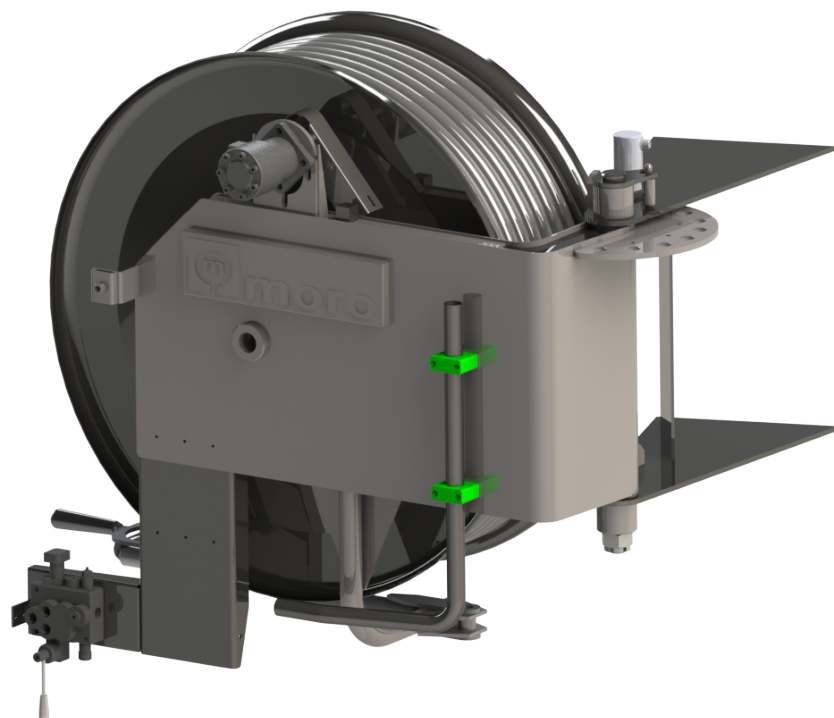


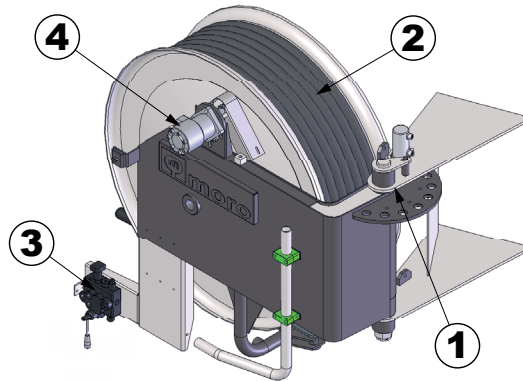


TECHNICAL SHEET



HYDRAULIC SWIVELLING HOSE REEL

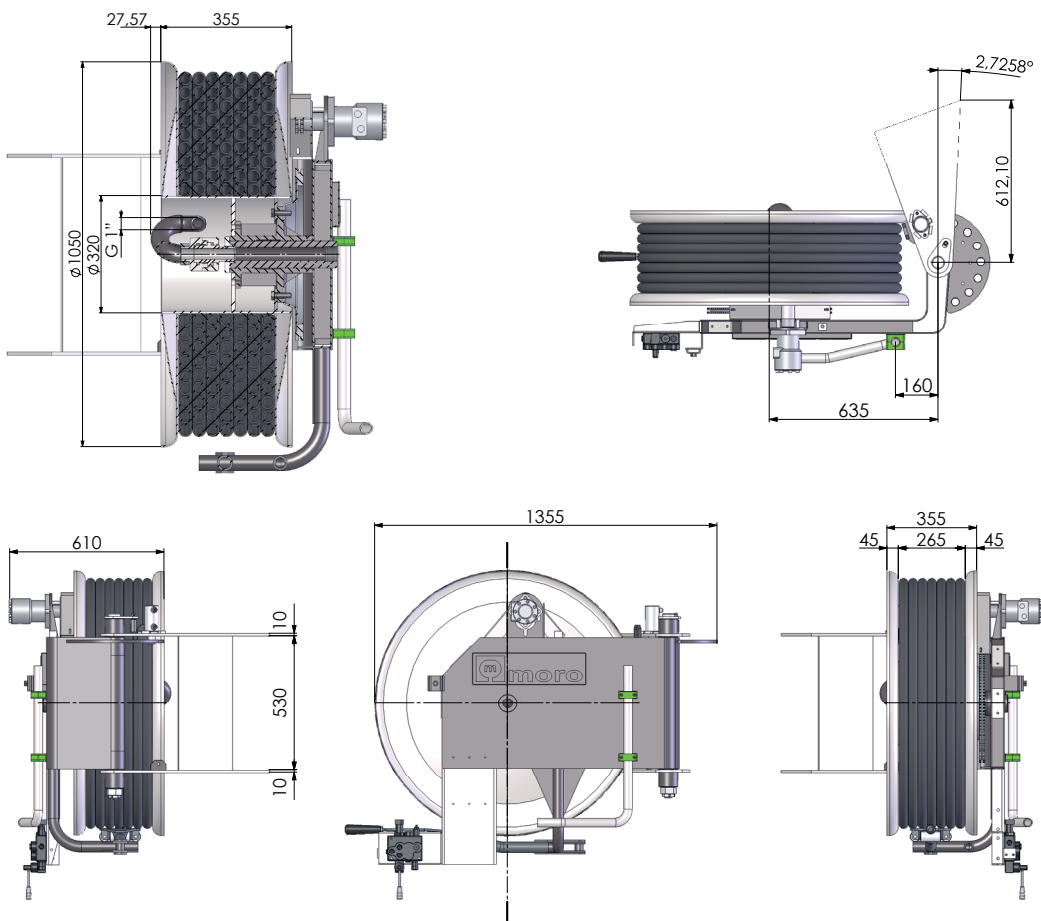
Description



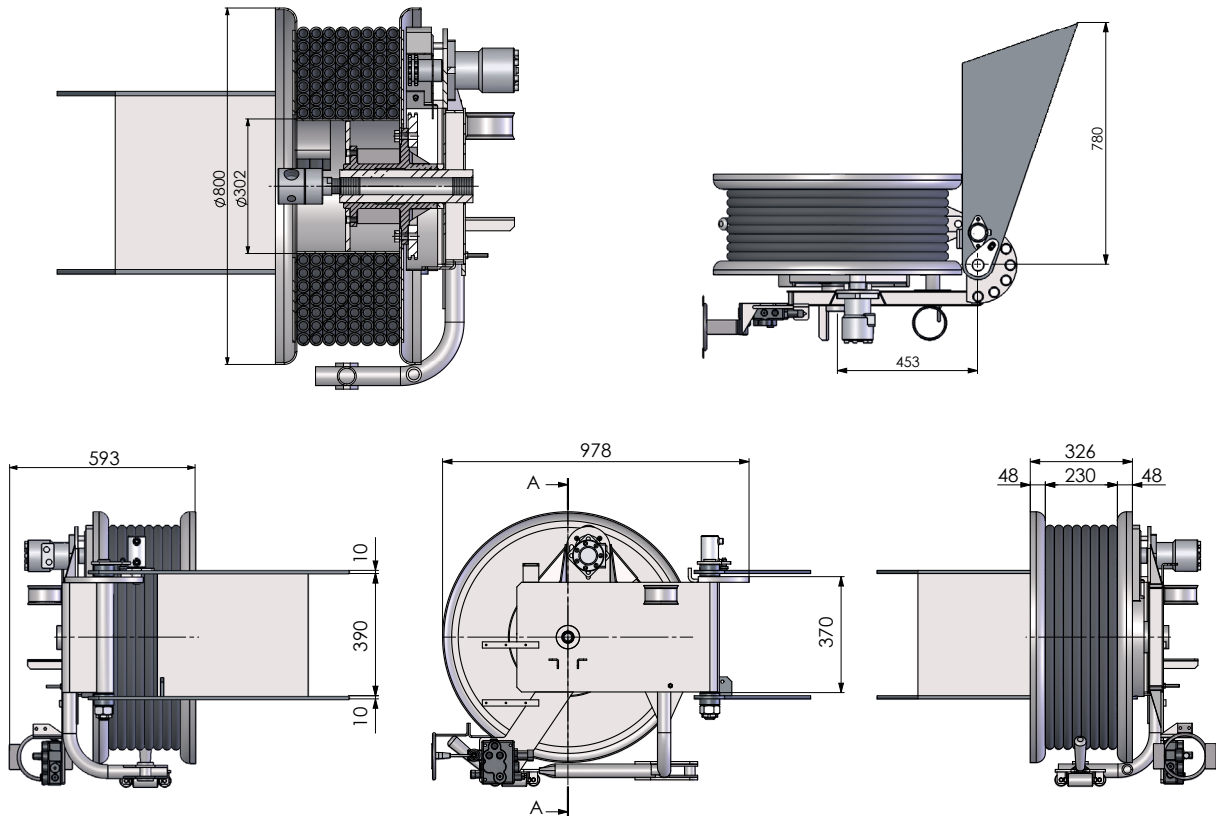
180° swivelling hydraulic hose reel (2), with hydraulic motor for the winding and unwinding movements (4), speed flow regulator, hydraulic distributor (3), pneumatic locking drum cylinder (1), control panel, chain protection, manual hose guide, high pressure opening and closing ball gate valves and welded support flanges. Left and right hand opening movement. Carbon steel or stainless steel versions. Options: Electric winch, 180° opening movement made possible by an hydraulic motor system.

Dimensions

Normal 1" / 3/4" - 80 / 120 m hose reel



Comby 3/4" - 80 m hose reel



Technical data

parameter	value
Working pressure	250 bar / 300 bar
Max hydraulic pressure	120 bar
Hydraulic oil flowrate	20 l/min
Hose diameter	1" / 3/4"
Max hose length	80 m / 120 m
Weight	220 / 280 kg

Main features

- Hydraulic swivelling hose reel
- 1" / 3/4" hose (hose not included)
- Max hose length 80 m / 120 m
- Hydraulic motor and distributor
- Control panel

- Chain protection
- Cylinder for drum blockage
- Manual hose guide
- Mild steel / Stainless steel

Versions

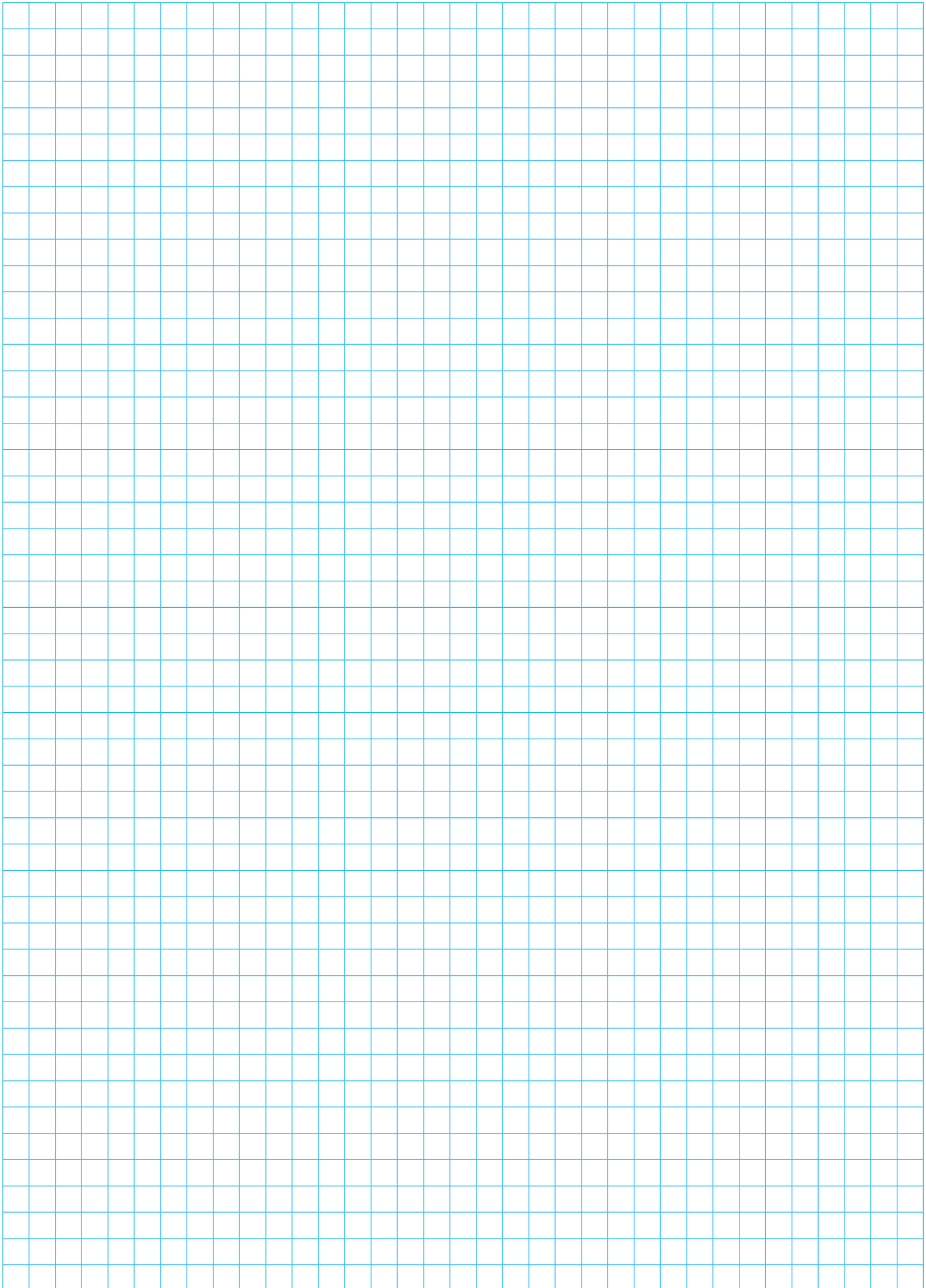
code	description
6.861000671-2	Comby 3/4" 80m Fe dx
42711300070	Comby 3/4" 80m Fe sx
6.861000970-2	Comby 3/4" 80m Inox dx
6.1007533-0-2	Normal 3/4" 120m Fe dx
6.861000641-2	Normal 3/4" 120m Inox dx
6.1007541-0-2	Normal 1" 120m Fe dx
6.1032013-7-2	Normal 1" 120m Fe sx
6.861000651-2	Normal 1" 120m Inox dx
6.861002470-1	3/4" Fe 300bar

Accessories

code	description
6.870500000-1	Winch kit for normal versions 24V 350 KG
6.1014025-1-2	Hydraulic opening kit for normal versions

Examples of application







MORO KAISER **COMPONENTS**

MORO KAISER S.R.L.

Via Pontebbana, 16
33080 FIUME VENETO (PN) ITALY

Tel. 0434 951.211

Fax: 0434 957.786

infomoro@morokaiser.it