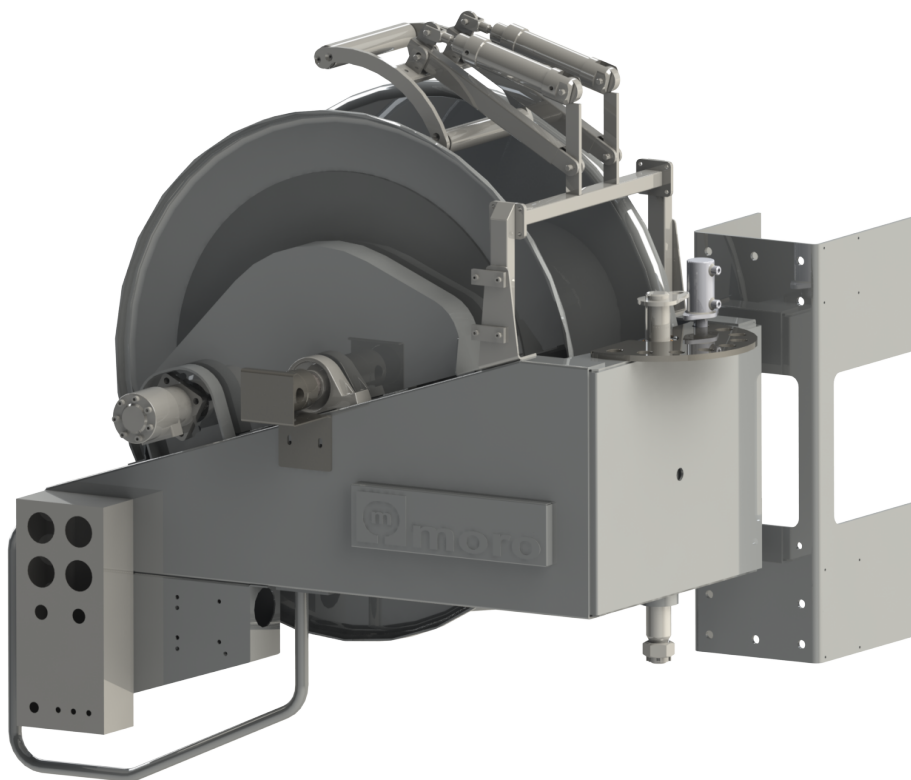


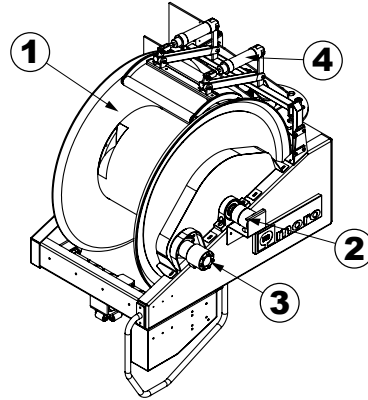


TECHNICAL SHEET



**HYDRAULIC SWIVELLING
AUTOMATIC HOSE REEL**

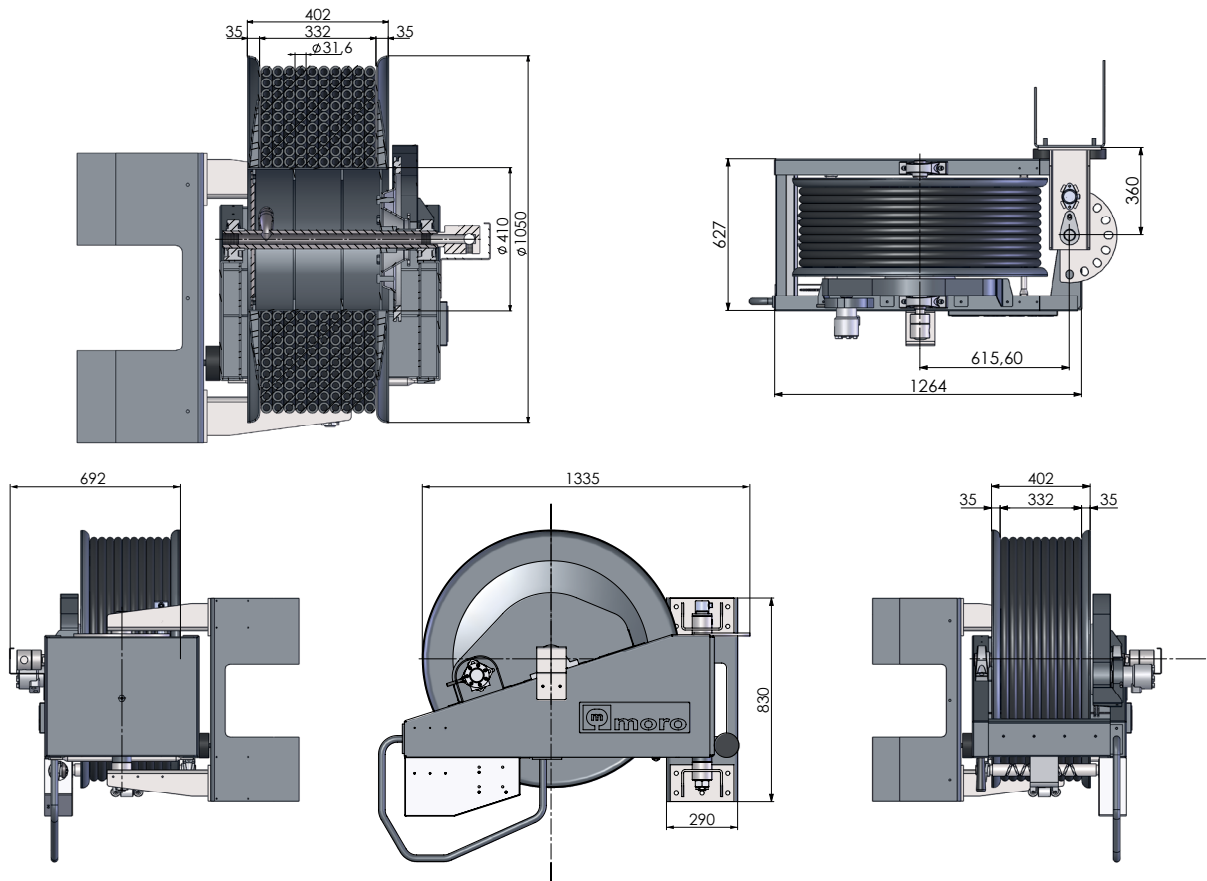
Description



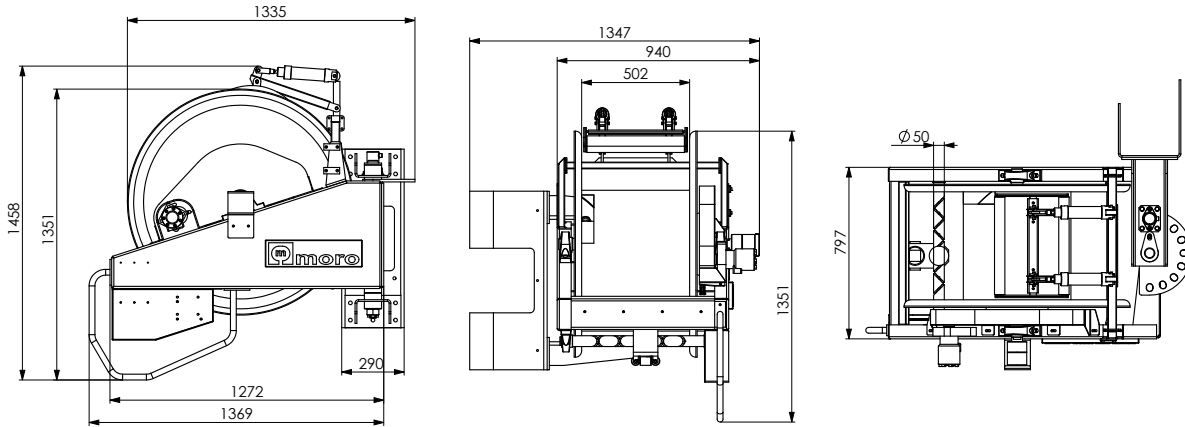
180° heavy duty swivelling hydraulic hose reel (1), with hydraulic motor for the winding and unwinding movements (3), speed flow regulator, hydraulic distributor, pneumatic locking drum cylinder, control panel, chain protection, automatic hose guide (2), pneumatic pressing hose device (4), high pressure opening and closing ball gate valves and welded support flanges. Carbon steel or Stainless steel versions. Options: Electric winch, 180° opening movement made possible by an hydraulic motor system.

Dimensions

1" / 3/4" - 120 m hose reel



1" 1/4 - 120 m hose reel



Technical data

parameter	value
Working pressure	250 bar
Max hydraulic pressure	120 bar
Hydraulic oil flowrate	20 l/min
Hose diameter	3/4" / 1" / 1"1/4
Max hose length	120 m / 180 m
Weight	450 / 480 kg

Main features

- Hydraulic swivelling hose reel
- 3/4" / 1" / 1"1/4 hose (hose not included)
- Max hose length 120 m
- Hydraulic motor and distributor
- Control panel
- Chain protection
- Cylinder for drum blockage
- Automatic hose guide
- Mild steel / Stainless steel
- Pneumatic hose holder cylinders (rewind movement)

Versions

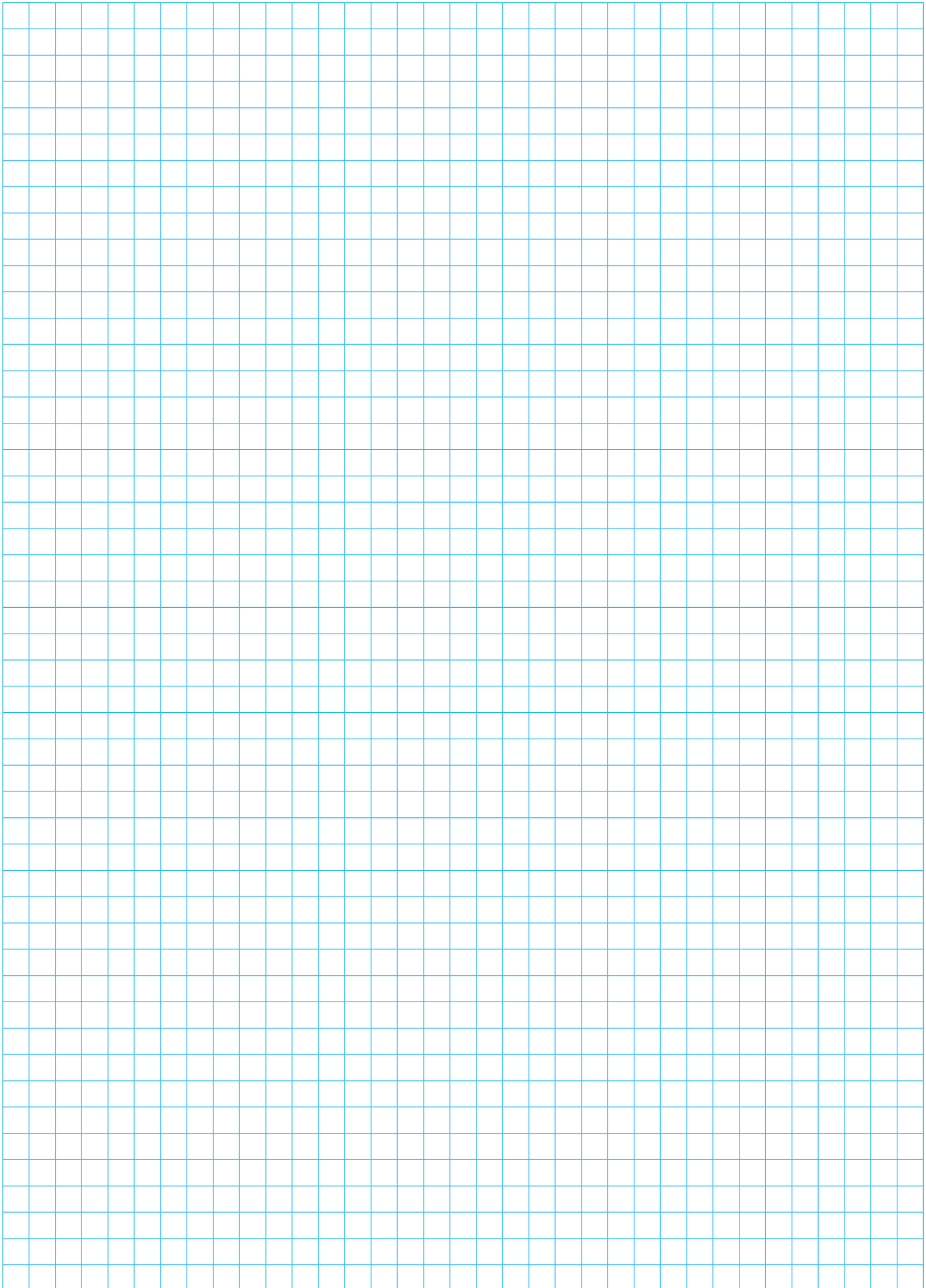
code	description
6.1035071-9-2	GTA 3/4" 120 m fe dx - Textile reinforcement hose
6.1035883-7-2	GTA 3/4" 120 m fe dx - Metallic reinforcement hose
6.1033428-4-2	GTA 3/4" 120 m inox dx
6.1032411-5-2	GTA 1" 120 m fe dx
6.1032650-5-2	GTA 1" 120 m inox dx
42711300001	GTA 1 1/4" 120 m fe dx
6.1035986-3-2	GTAI 1 1/4 120 m inox dx
6.861001010-2	GTAH 1" 180 m fe dx

Accessories

code	description
6.870500000-1	Winch kit for normal versions 24V 350 KG
6.1036584-7-2	Hydraulic opening kit for GTA
6.870000330-2	Hydraulic opening kit for GTAH

Examples of application







MORO KAISER **COMPONENTS**

MORO KAISER S.R.L.

Via Pontebbana, 16
33080 FIUME VENETO (PN) ITALY

Tel. 0434 951.211

Fax: 0434 957.786

infomoro@morokaiser.it