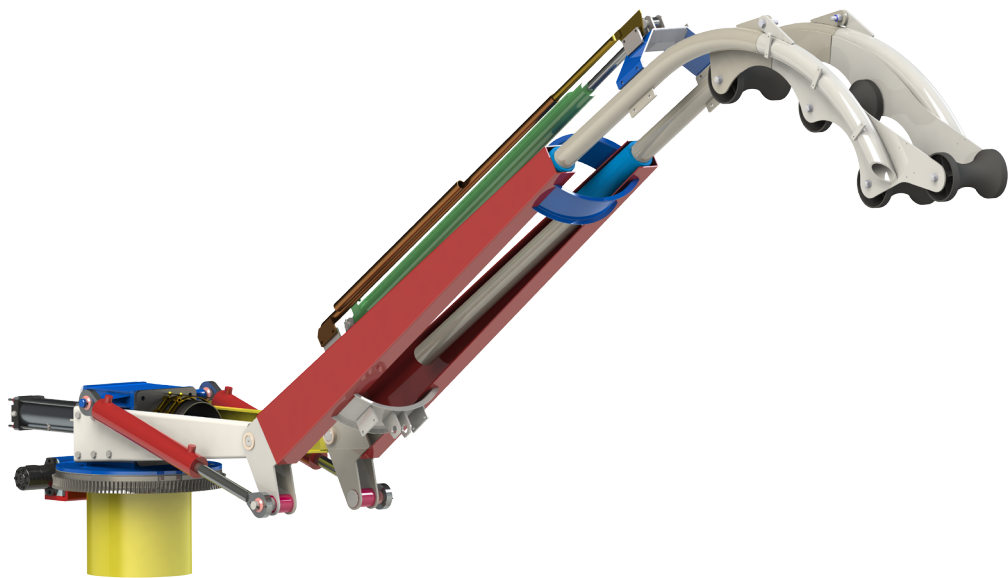
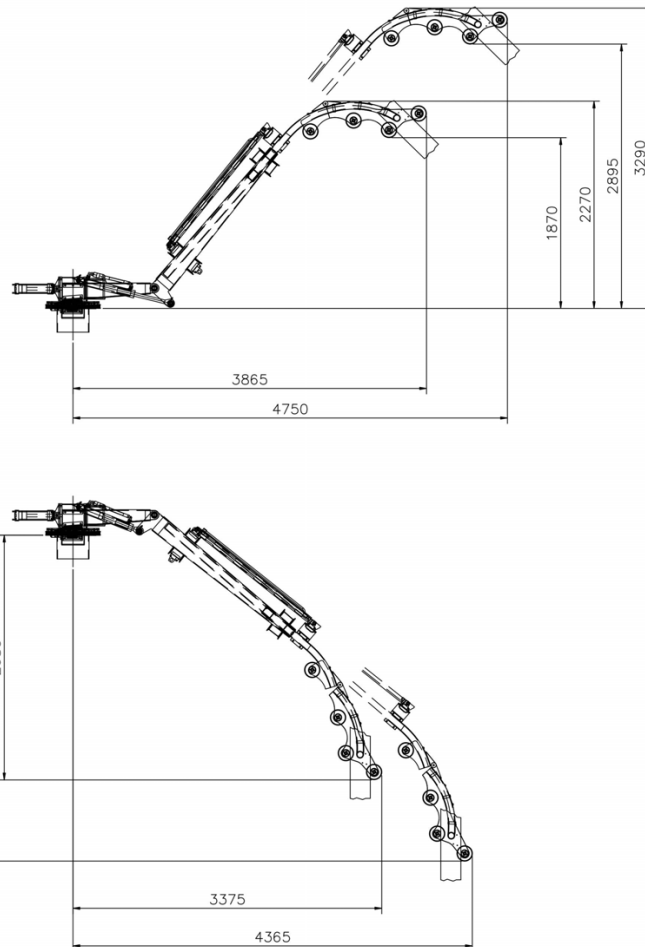




TECHNICAL SHEET



HEAVY DUTY BOOM



Technical data

parameter	value
Working pressure	+1,5 bar rel
Hydraulic oil flowrate	15÷20 l/min
Hydraulic system pressure	120 bar
Hose diameter	6" - 8"
Weight	660 kg

Main features

- Suction hose diameter: DN 150 / 200
- Rotation: orbital motor and worm screw - toothed wheel on the centre-plate
- Rotation angle: 300°. Adjustable speed.
- Telescopic extension: 1350 mm.
- Lifting: controlled speed, strain limiter in the downward stroke.
- Shutoff valve: motion with pneumatic cylinder.

- Solenoid valve group for the 12V or 24V motion controls.
- High resistance cast iron turret.
- Centre-plate with double wheel and seal rings.
- Solenoid valves support plate and worm screw.
- Steel structure from hot-dip galvanized construction.
- Guide rollers and support for the suction hose.
- Carbon steel manhole (to be welded).
- Compact parking size space.

Versions

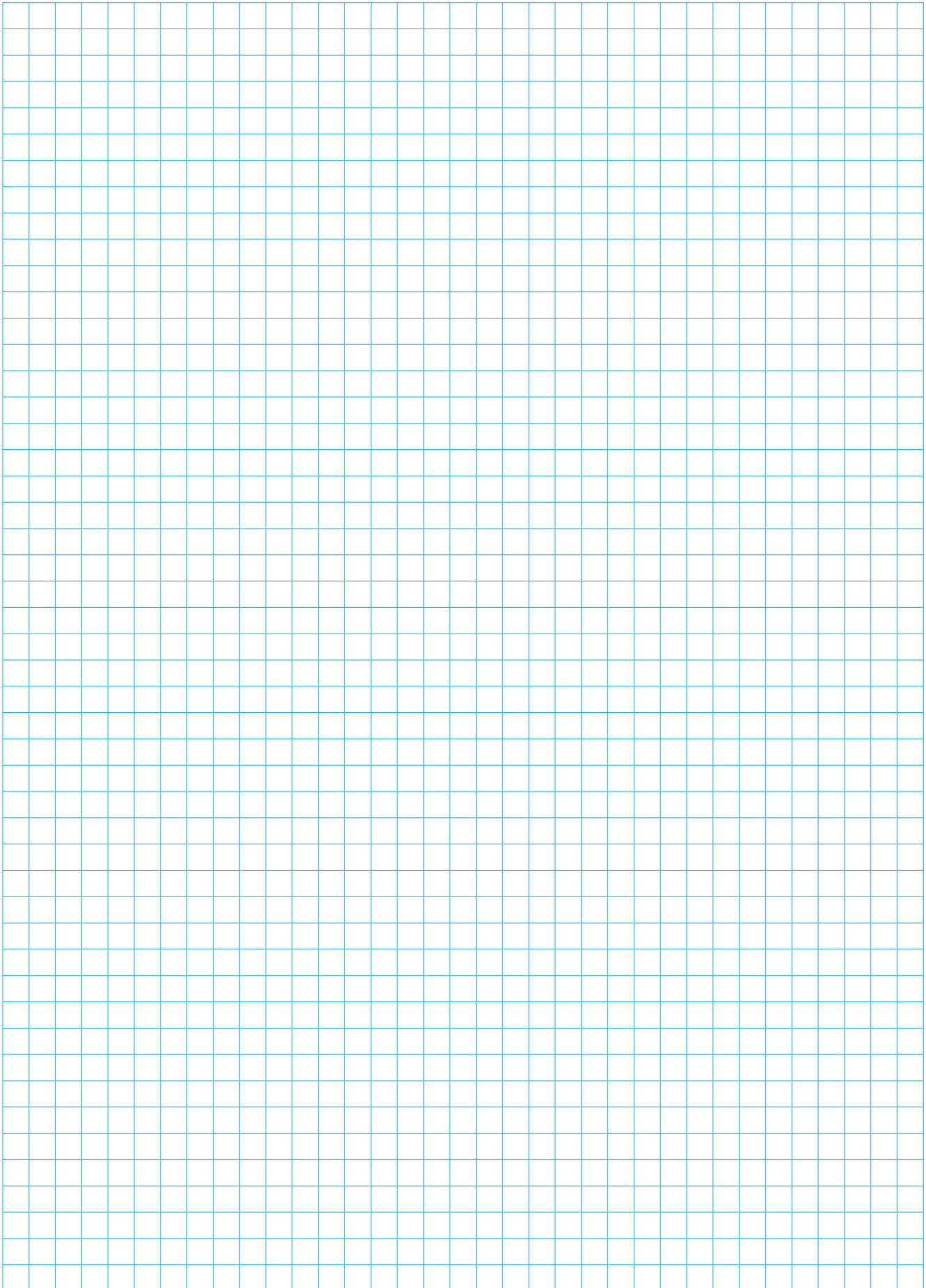
code	description
42721100039	6" 12 V heavy duty boom
6.860002070-2	8" 12 V heavy duty boom
42721100040	6" 24 V heavy duty boom
6.1017015-6-2	8" 24 V heavy duty boom

Accessories

code	description
46216000082	12V - 24V remote control
	Galvanized steel suction pipe. Different lengths and diameters 6" - 8"
	Galvanized steel suction pipe with flushing. Different lengths and diameters 6" - 8"
	Boom parking support (FE and INOX)
	Flexible suction hoses with various length fittings 6" - 8"
6.928006010-1	12V - 24V led working light kit

Examples of application







MORO KAISER **COMPONENTS**

MORO KAISER S.R.L.

Via Pontebbana, 16
33080 FIUME VENETO (PN) ITALY

Tel. 0434 951.211

Fax: 0434 957.786

infomoro@morokaiser.it