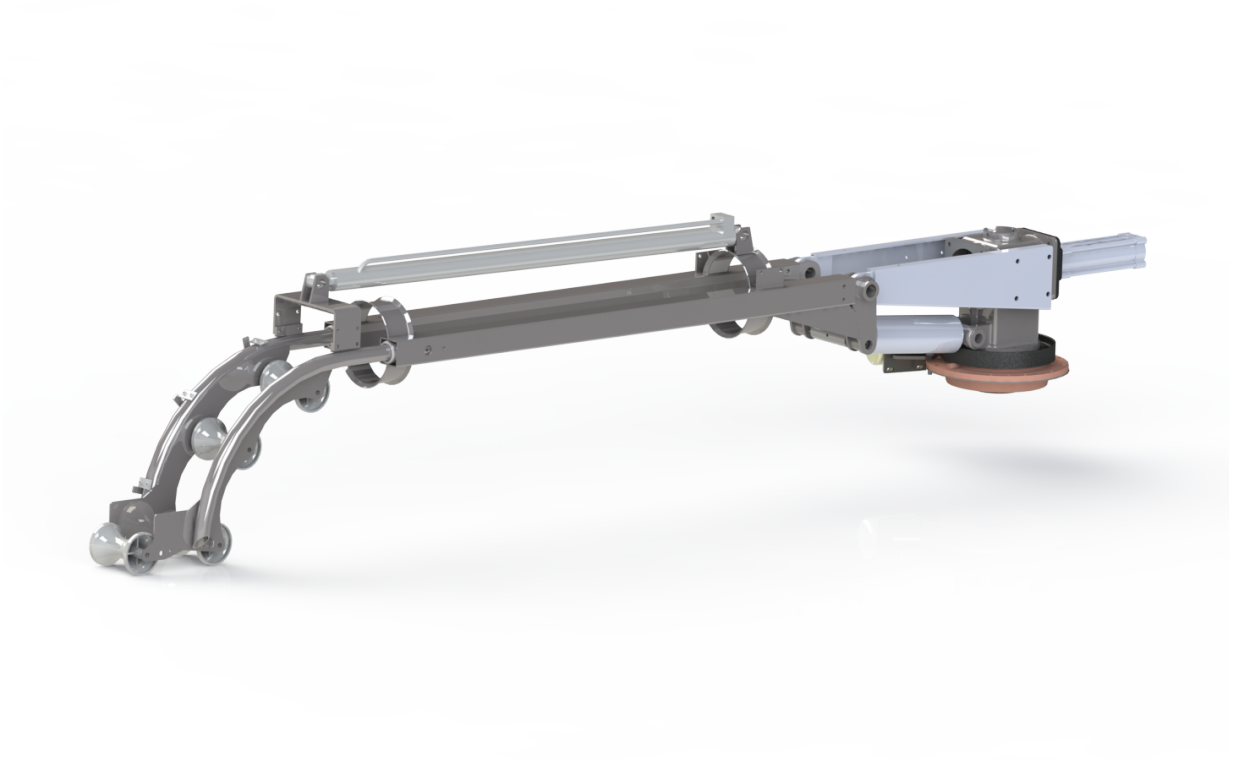


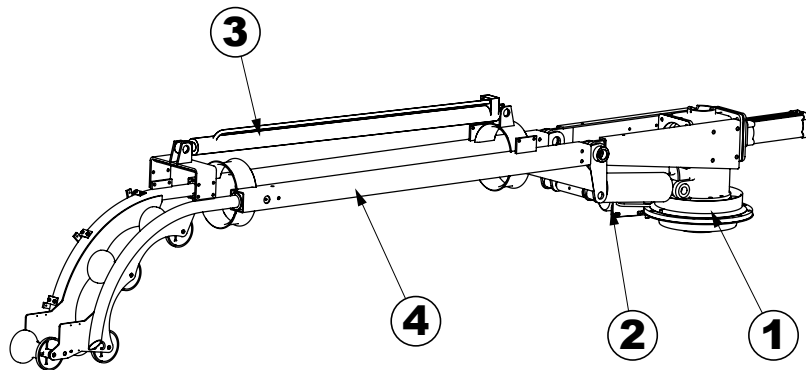


TECHNICAL SHEET



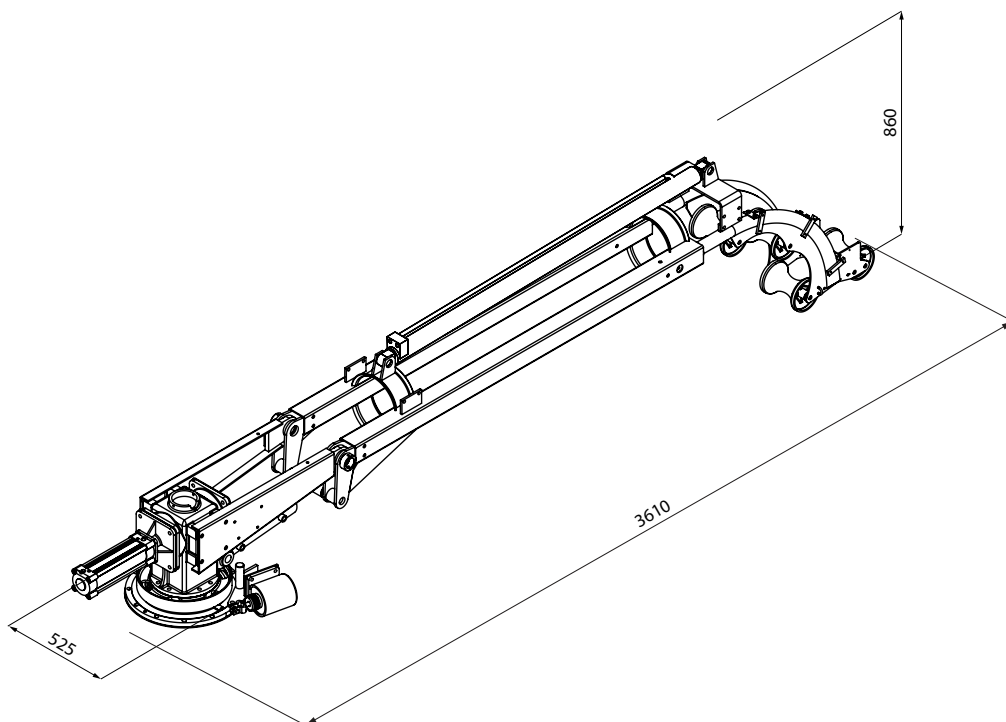
MANUAL ROTATION SUCTION BOOM

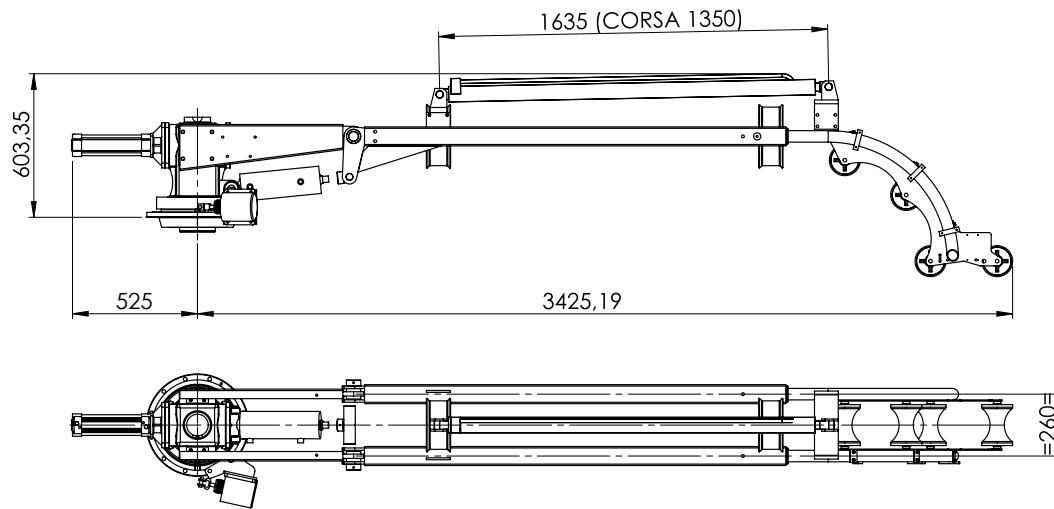
Description



The suction boom starts the vacuum line, it is the first component which comes into contact with the sludge material and it is the more complex part of the system and of the air flow covered during the entire path from the suction mouth to the tank. The manual center plate (1) controls the rotation of the suction boom and it is provided with a pneumatic brake (2). The lifting and the extension of the arm are made possible by means of hydraulic cylinders (3). An accurate design and a detailed study of the ergonomics of each component guarantee precision in the movements, speed of use and minimum operator fatigue. The strong structure of the arm (4) is made to support the weight of the loaded material.

Dimensions





Technical data

| parameter | value |
|---------------------------|--|
| Working pressure | +1,5 bar rel. |
| Hydraulic oil flowrate | 15±20 l/min |
| Hydraulic system pressure | 120 bar |
| Hose diameter | 4" - 5" - 6" - 100mm - 120 mm - 150 mm |
| Weight | 160 kg |

Main features

- Top mounted suction boom.
- Manual rotation with centre-plate.
- Pneumatic brake.
- Rotation angle: 300°.
- Elevation: by hydraulic cylinders.
- Pneumatic gate valve.
- Structure made of construction steel.
- Guide rollers and support for the suction line.
- Welded cockpit made of carbon steel/stainless steel.

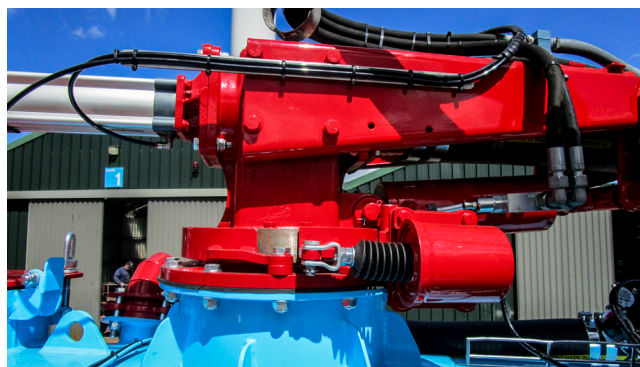
Versions

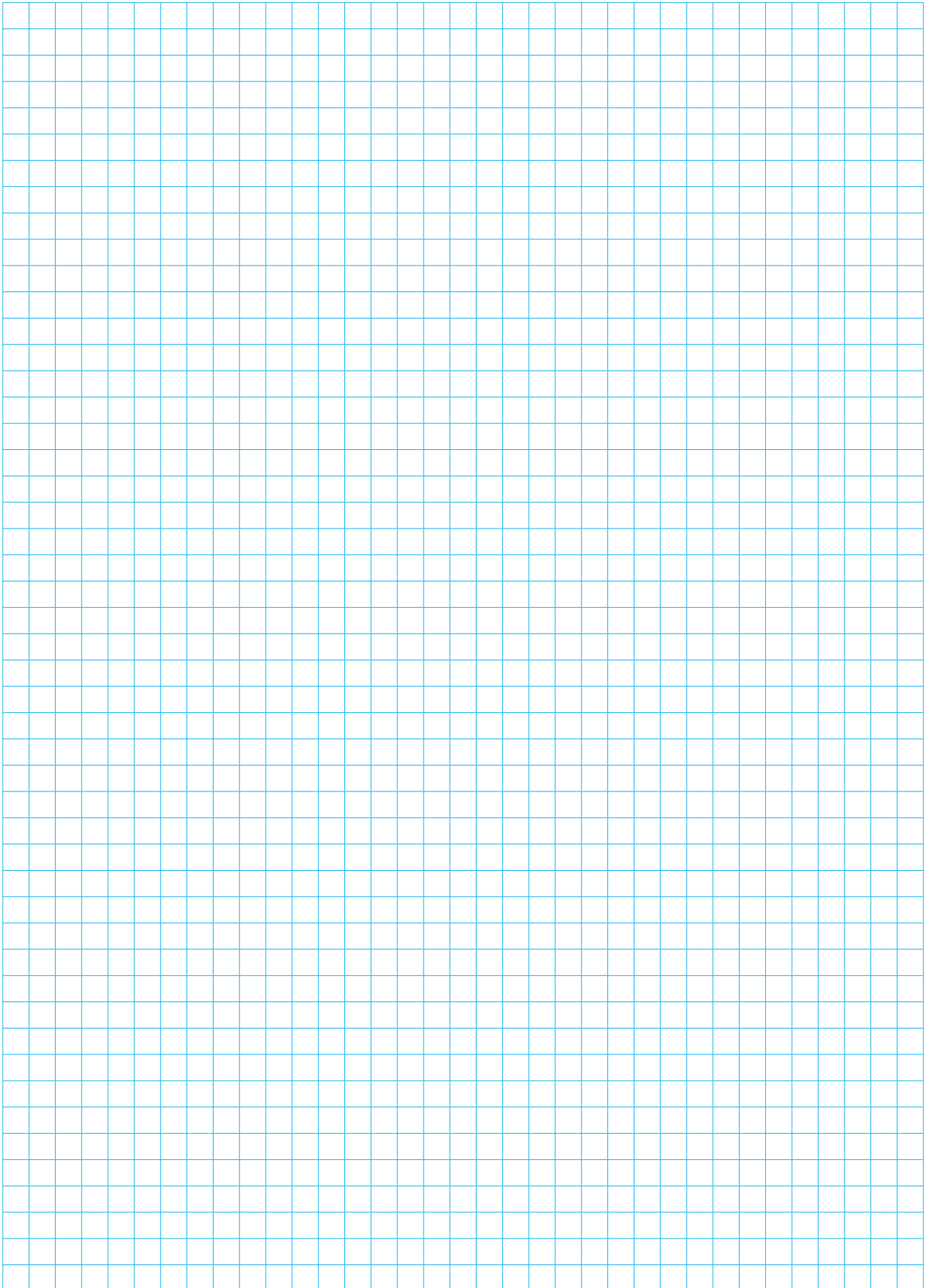
| code | description |
|---------------|------------------------------|
| 6.860003000-2 | 4" 24 V manual rotation boom |
| 6.860003180-1 | 5" 24 V manual rotation boom |
| 6.1023496-2-2 | 6" 24 V manual rotation boom |

Accessories

| code | description |
|------|---|
| | Galvanized steel suction pipe with flushing. Different lengths and diameters 4" - 5" - 6" |
| | Flexible suction hoses with various length fittings 4" - 5" - 6" |

Examples of application







MORO KAISER **COMPONENTS**

MORO KAISER S.R.L.

Via Pontebbana, 16
33080 FIUME VENETO (PN) ITALY

Tel. 0434 951.211

Fax: 0434 957.786

infomoro@morokaiser.it