

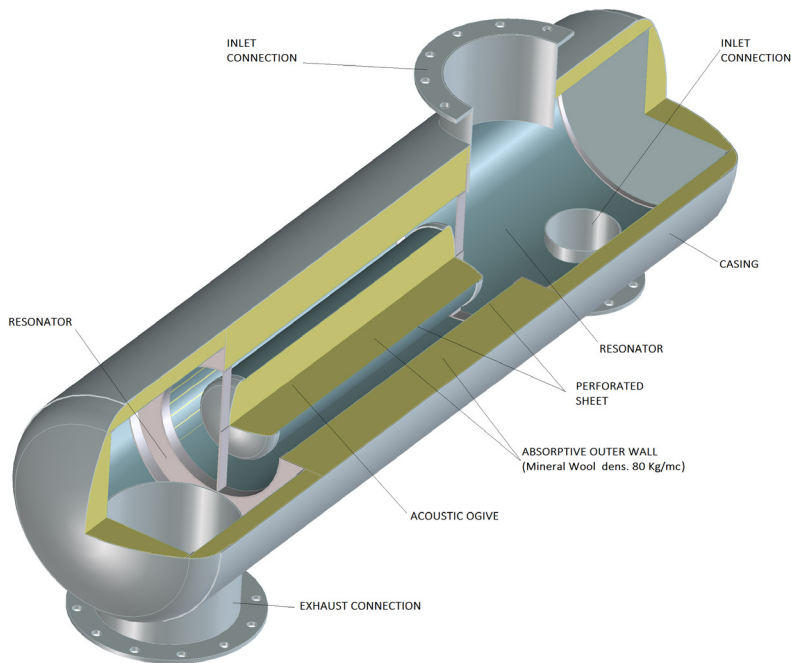


**TECHNICAL SHEET**



**SILENCERS**

## Description



## SILENCERS

The range of this type of silencers bases its noise attenuation on these two principles: resonance and absorption.

## Dimensions

