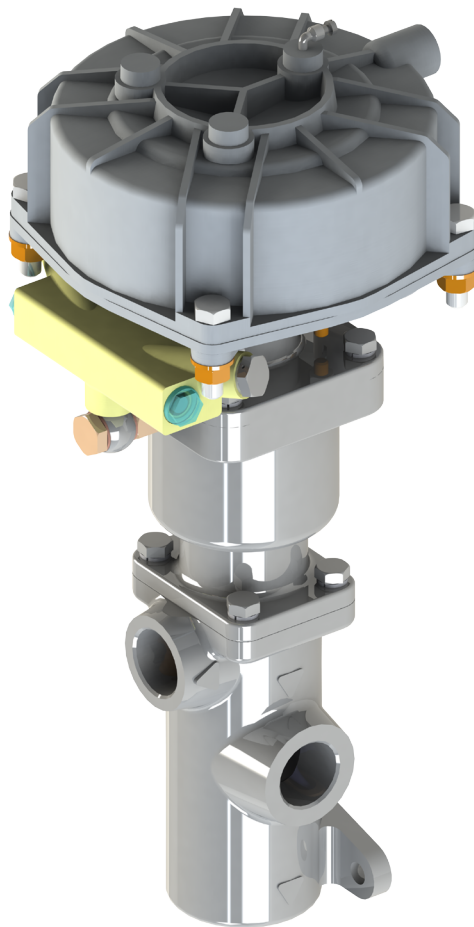


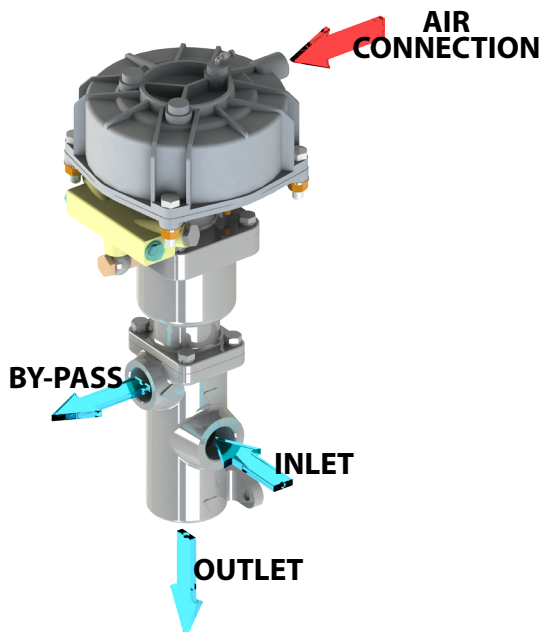


TECHNICAL SHEET



MAX PRESSURE
REGULATING VALVE

Description



Pneumatic regulating pressure water valve with automatic by-pass, working pressure 0 - 250 bar/ 0 - 3626 psi, with air membrane and reservoir inside.

The max pressure regulating valve is a pneumatic controlled device with manual calibration. It allows the remote control of the water pressure.

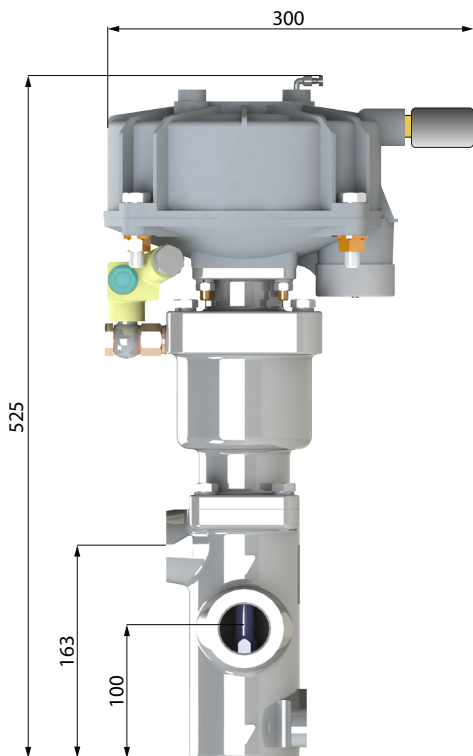
The valve limits the pressure of the system where it is installed, by conveying the exceeding water to the by-pass line. The valve also releases the flow, still keeping the system where it is installed, at the calibrated pressure, when the outlet flow is blocked.

The water pressure is proportional to the air pressure of the pneumatic cylinder located above the valve, through a pressure regulator.

By changing the air pressure, the pneumatic control of the valve allows to change the hydraulic working pressure.

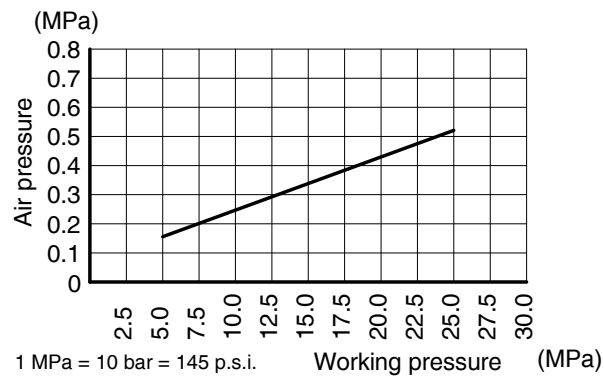
The application of the max pressure regulating valve is suitable for all situations that require automatic working cycles or where continuous variations of the working pressure are required.

Dimensions



Technical data

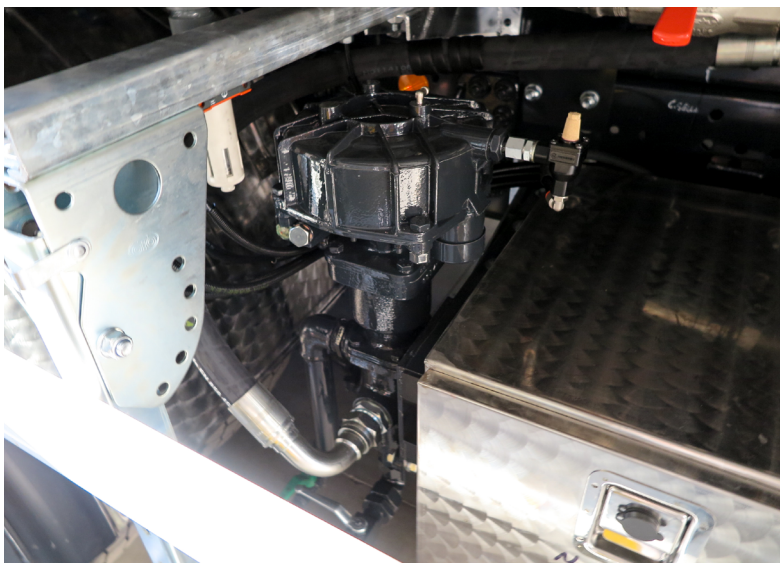
parameter	value
Type	normally open
Max air pressure	3.1 bar for 150 bar high pressure pump 5 bar for 200 bar high pressure pump
Inlet	1"1/4
Outlet	1"1/2
By-pass	1"1/4
Air connection	1/8"
Weight	25 kg / 55 lb



Versions

code	description
6.401300060-1	Pneumatic regulating valve 0 - 250 bar / 0 - 3626 psi regulating pressure

Examples of application





MORO KAISER **COMPONENTS**

MORO KAISER S.R.L.

Via Pontebbana, 16
33080 FIUME VENETO (PN) ITALY

Tel. 0434 951.211

Fax: 0434 957.786

infomoro@morokaiser.it